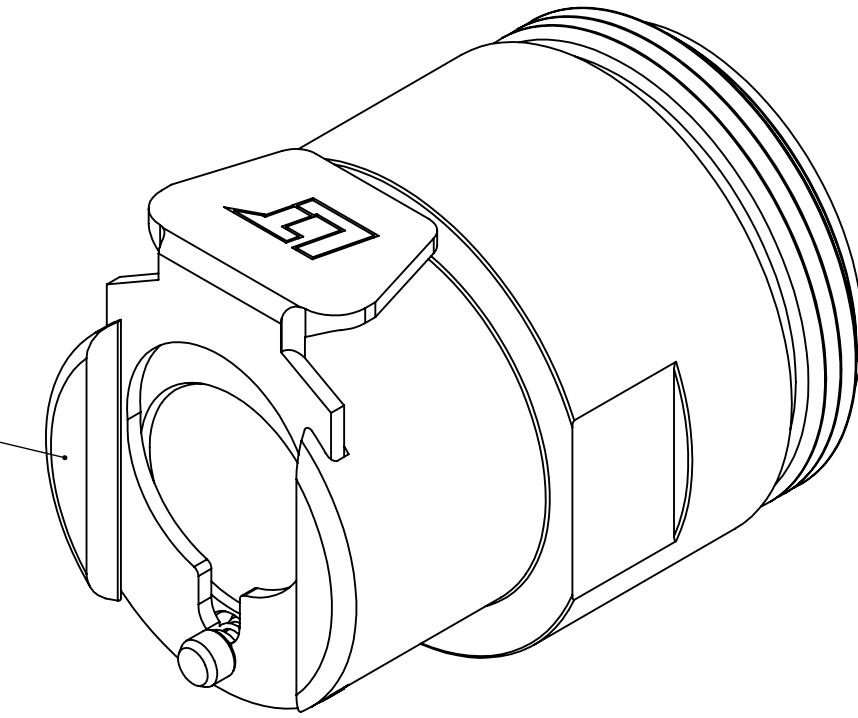
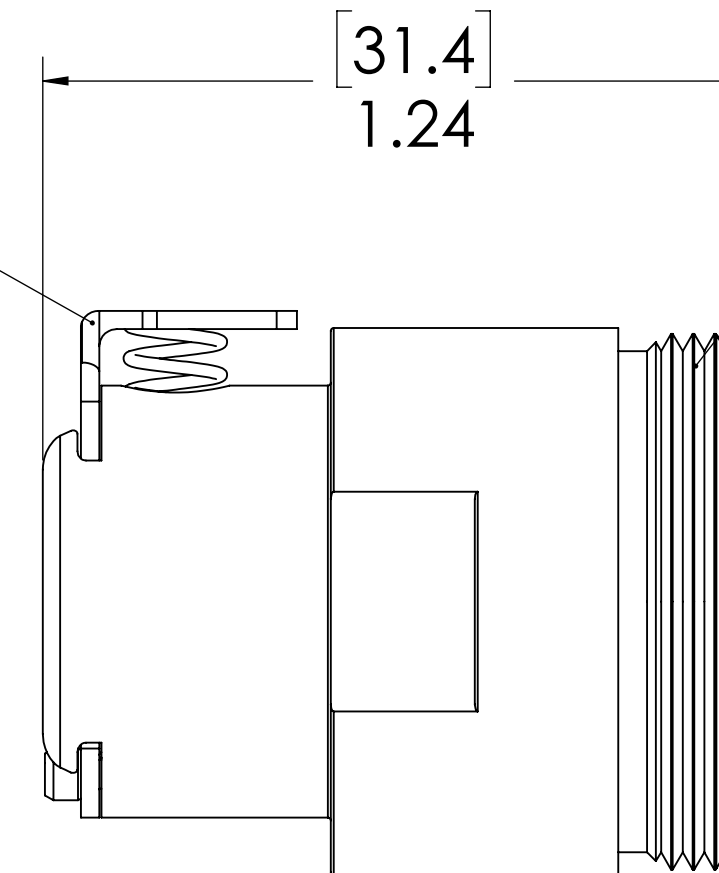


REVISIONS						
SHEET	ZONE	REV.	ECO	DESCRIPTION	DATE	APPROVED
1	D-3	A	REMOVED GASKET PACKAGED SEPARATELY NOTE	7/30/2012	DHJ
1	C-4	A	REPLACE C11277 GASKET WITH C11278 GASKET	7/30/2012	DHJ
1	ALL	A	50013	INITIAL RELEASE	9/7/2012	DHJ
1	ALL	B	50242	PIN, PIN SPRING & 2017 FORMAT UPDATE	10/18/2018	HRC

**SOCKET
(BRASS, NICKEL &
CHROME PLATED)**

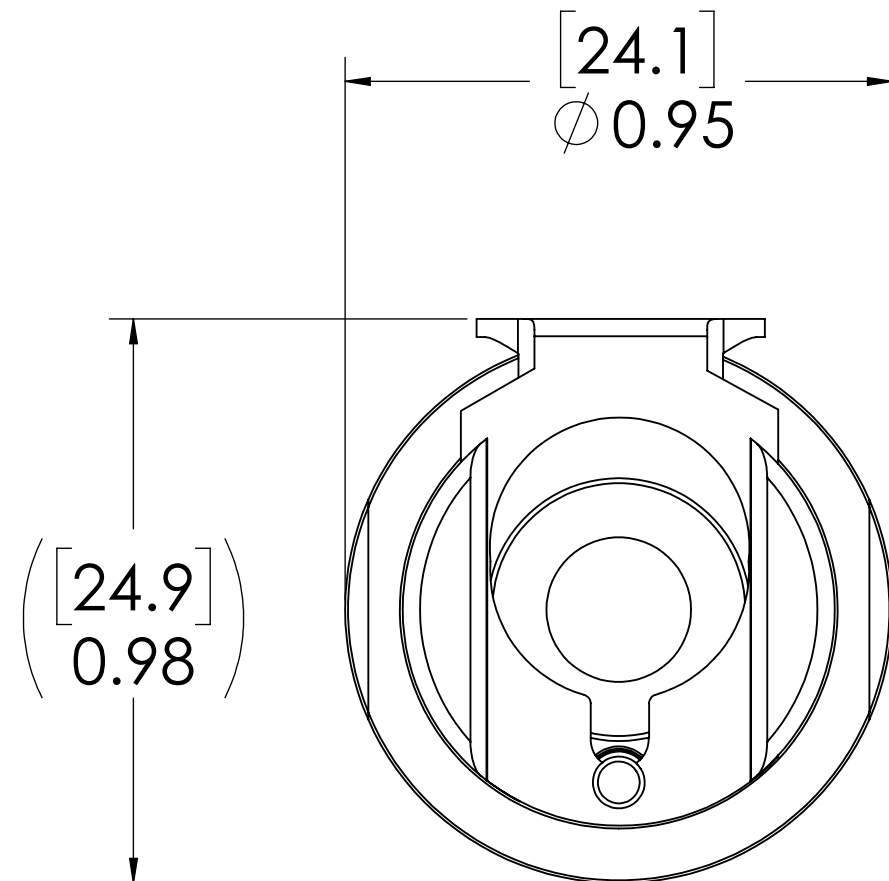


**LATCH HARDWARE
(STAINLESS STEEL)**




15/16"-27 THREAD

**GASKET
(EPDM)**



- NOTES:**
1. MATERIAL: BRASS
 2. FINISH: CHROME
 3. GASKET MATERIAL: EPDM

FOR REFERENCE ONLY

<small>UNLESS OTHERWISE SPECIFIED: DIMENSIONS ARE IN INCHES TOLERANCES: FRACTIONAL ± 1/32 ANGULAR, MACH: ± 0.5 BEND ± 2 ONE PLACE DECIMAL ± 0.1 TWO PLACE DECIMAL ± 0.01 THREE PLACE DECIMAL ± 0.005 TWO PLACE DUAL (mm) [± 0.12]</small>	DRAWN	LDM	1/16/2018	 PART NO: 40CB-S3557 <small>DESCRIPTION: LinkTech 40CB Series Male Thread Female, Non-valved, 15/16-27 Thread, w/NBR Gasket, Chrome Brass</small>
	CHECKED	HRC	1/16/2018	
	ENG APPR.	HRC	10/18/18	
	MFG APPR.	BDB	10/18/18	
PRODUCTION	LS	10/18/18		<small>PROPRIETARY AND CONFIDENTIAL</small> <small>THE INFORMATION CONTAINED IN THIS DRAWING IS THE SOLE PROPERTY OF LINKTECH LLC. ANY REPRODUCTION OR DISCLOSURE IN PART OR AS A WHOLE WITHOUT THE WRITTEN PERMISSION OF LINKTECH LLC IS STRICTLY PROHIBITED.</small>
COMMENTS:				<small>SIZE DWG. NO. REV</small> C 40CB400119 B
SCALE: NTS		WEIGHT:		SHEET 1 OF 1